

Taping specifications for Raidal Type:

Fig.1 : Code T1/R1 : Ammo / Reel Tape ($\Phi 4 - \Phi 6.3$)

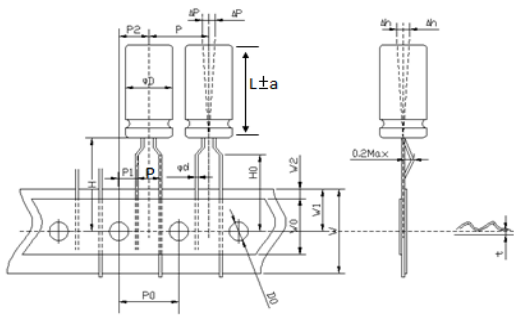


Fig.2 : Code T1/R1 : Ammo / Reel Tape ($\Phi 8$)($P3=2.0\sim 2.7, \theta=110^{\circ}\pm 15^{\circ}$)

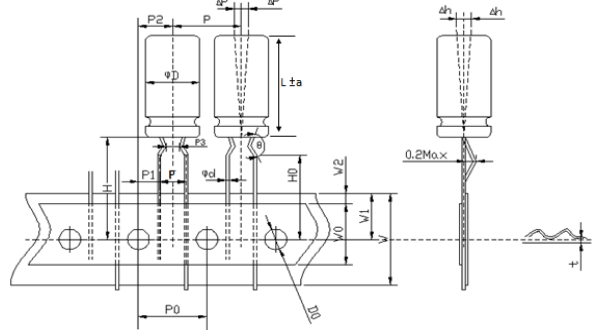


Fig.3 : Code T1/R1 : Ammo / Reel Tape ($\Phi 10$)

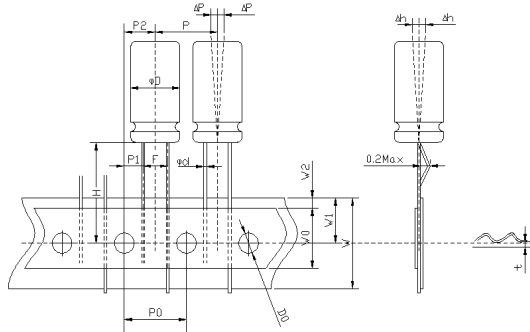


Fig.4 : Code T1 : Ammo Tape ($\Phi 13\sim \Phi 18$)

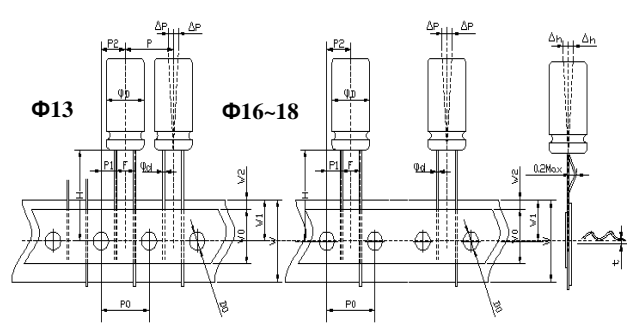


Fig.5 : Code T2/R2 , $\Phi 4 \sim \Phi 8$

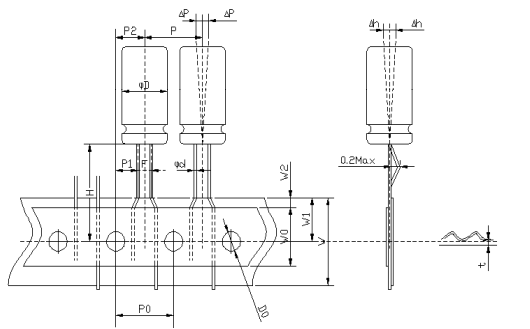
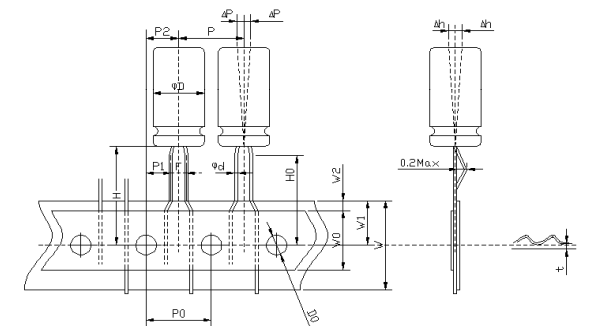


Fig.6 : Code T4/R3 : Ammo / Reel Formed Tape ($\Phi 4\sim \Phi 5$ /pitch 2.5mm)



unit : mm

Code	Symbol	φd	P	P0	P1	P2	F	W	W0	W1	W2	H	H0	D0	ΔP	Δh	t
T1/R1	Tolerance	± 0.05	± 1.0	± 0.3	± 0.5	± 1.0	$+0.6/-0.2$	± 0.5	min	± 0.5	max	± 0.5	± 0.5	± 0.3	max	max	± 0.3
	4x5	0.45	12.7	12.7	3.85	6.35	5.0	18.0	8.0	9.0	2.0	18.5	16.0	4.0	0.2	0.2	0.6
	5x5~11	0.45or0.5	12.7	12.7	3.85	6.35	5.0	18.0	8.0	9.0	2.0	18.5	16.0	4.0	0.2	0.2	0.6
	6.3x5~11	0.45or0.5	12.7	12.7	3.85	6.35	5.0	18.0	8.0	9.0	2.0	18.5	16.0	4.0	0.2	0.2	0.6
	Tolerance	± 0.05	± 1.0	± 0.3	± 0.7	± 1.0	$+0.6/-0.2$	± 0.5	min	± 0.5	max	± 0.5	± 0.5	± 0.3	max	max	± 0.3
	8x5~30	0.45~0.6	12.7	12.7	3.85	6.35	5	18.0	8.0	9.0	2.0	18.5	16.0	4.0	0.2	0.2	0.6
	Tolerance	± 0.05	± 1.0	± 0.3	± 0.5	± 1.0	$+0.6/-0.2$	± 0.5	min	± 0.5	max	± 0.5	—	± 0.3	max	max	± 0.2
	10x10~30	0.6	12.7	12.7	3.85	6.35	5	18.0	8.0	9.0	2.0	18.5	—	4.0	0.2	0.2	0.7
	Tolerance	± 0.05	± 1.0	± 0.3	± 0.7	± 1.3	$+0.6/-0.2$	± 0.5	min	± 0.5	max	± 0.5	—	± 0.3	max	max	± 0.3
	12.5x15~25	0.6	15	15	5.00	7.50	5.0	18.0	8.0	9.0	2.0	18.5	—	4.0	0.2	0.2	0.7
13x13~40	0.6	15	15	5.00	7.50	5.0	18.0	8.0	9.0	2.0	18.5	—	4.0	0.2	0.2	0.7	
16x16~40	0.8	30	15	3.75	7.50	7.5	18.0	8.0	9.0	2.0	18.5	—	4.0	0.2	0.2	0.7	
18x20~32	0.8	30	15	3.75	7.50	7.5	18.0	8.0	9.0	2.0	18.5	—	4.0	0.2	0.2	0.7	
T2/R2	Code	Φd	P	P0	P1	P2	F	W	W0	W1	W2	H	—	D0	Δp	—	t
	Tolerance	± 0.05	± 1.0	± 0.5	± 0.3	± 1.0	$+0.6/-0.2$	± 0.5	min	± 0.5	max	± 0.5	—	± 0.3	max	—	± 0.2
	4x5~7	0.45	12.7	5.6	12.7	6.35	1.5	18	8	9	3	18.5	—	4	0.2	—	0.6
	5x5~11	0.45or0.5	12.7	5.35	12.7	6.35	2	18	8	9	3	18.5	—	4	0.2	—	0.6
	6.3x5~11	0.45or0.5	12.7	5.1	12.7	6.35	2.5	18	8	9	3	18.5	—	4	0.2	—	0.6
8x5~20	0.6	12.7	4.6	12.7	6.35	3.5	18	8	9	3	18.5	—	4	0.2	—	0.6	
Code	sign	Φd	P	P0	P1	P2	F	W	W0	W1	W2	H	H0	D0	ΔP	Δh	t
	Tolerance	± 0.05	± 1.0	± 0.3	± 0.5	± 1.0	$+0.6/-0.2$	± 0.5	min	± 0.5	max	± 0.5	± 0.5	± 0.3	max	max	± 0.3
T4/R3	4x5~4x7	0.45	12.7	12.7	5.1	6.35	2.5	18.0	8.0	9.0	2.0	18.5	17.0	4.0	0.2	0.2	0.6
	5x5~5x11	0.45or0.5	12.7	12.7	5.1	6.35	2.5	18.0	8.0	9.0	2.0	18.5	17.0	4.0	0.2	0.2	0.6

Cut/Formatted Lead For Radial Lead Type :

Shape	Suitable size	Shape	Suitable size
<p>Code C5 : Straight Cut</p>	ΦD=4~18	<p>Code K2 : Kink cut, & Crimping</p>	ΦD=4~18
<p>CodeF* : Molding Truncation type</p>	ΦD=4~8	<p>CodeV* : Horizontal processing</p>	ΦD=4~18

unit : mm

C	Code	1	2	3	4	5	6	7	8	9	A	B	C	D	E	F	G	H
	L	2.5	2.8	3.2	3.4	4.0	4.5	5.0	5.5	6.5	7.0	8.0	10.0	3.6	6.0	3.2	4.2	2.4
	Code	J	K	L	M	N	P	Q	R	S	T	U	V	X	Y	Z	W	
	L	4.2	3.7	12.0	2.0	2.2	2.5	13.5	9.0	20.0	16.0	18.0	3.0	13.0	12.5	15.0	3.1	

K	Code	1	2	3	4	5	6	7	9
	L	3.2	4.5	5.0	3.5	4.0	4.3	3.5	3.2
	Code	A	B	E	D	F	H	K	L
	L	3.3	3.6	3.6	3.3	18.0	7.0	6.8	4.0

F	Code	1	2	3	4	5	6	7	8	9	A	B	C	D	E	F	G	H
	L	3.0	3.1	3.2	3.4	3.5	4.0	4.8	4.5	3.2	6.0	4.3	5.0	3.0	3.6	5.0	3.0	6.5
	Code	J	K	L	M	N	O	P	Q	R	S	T	U	V	W	Z	I	
	L	3.7	2.5	2.2	1.5	2.9	3.7	7.0	4.2	9.0	2.8	3.7	2.4	4.0	3.1	4.5	4.0	

V	Procesn umber	1	2	6	J	Q	F	8	N
	L1	1.25±0.25	2.5±0.5	2.5±0.25	1.0±0.5	1.5±0.5	1.25±0.25	2.0±0.5	2.2±0.5
	L2	2.6±0.3	3.5±0.5	4.1±0.5	3.85±0.25	3.0±0.5	11.5±0.5	4.0±0.5	<3.6
	Procesn umber	5	P	3	Y	R	G	9	Z
	L1	2.5±0.25	5.0±0.5	2.5±0.25	1.0±0.5	1.5±0.5	1.0±0.2	2.0±0.5	2.2±0.5
	L2	3.25±0.25	3.25±0.25	4.1±0.5	3.85±0.25	3.0±0.5	2.4±0.3	4.0±0.5	<3.6
	Procesn umber	B	S	U	H	D	O	E	M
	L1	2.5±0.5	2.0±0.5	3.5±0.3	1.0±0.2	2.0±0.5	2.5±0.5	1.5±0.2	3.3±0.2
	L2	3.3±0.5	3.5±0.3	5.0 +0,-0.5	2.4±0.3	6.7±0.5	7.0±0.5	2.25±0.25	3.25±0.25
	Procesn umber	X	W	V	7	C	A	4(Don't cut the foot)	T
	L1	2.5±0.5	2.0±0.5	1.0±0.5	2.0±0.5	<1.6(containφd)	2.5±0.3	4.0±0.5	<2.0
	L2	5.8±0.5	2.5±0.5	3.5±0.3	3.2±0.4	2.0±0.5	3.7±0.3	15.5±0.5	9.3±0.5

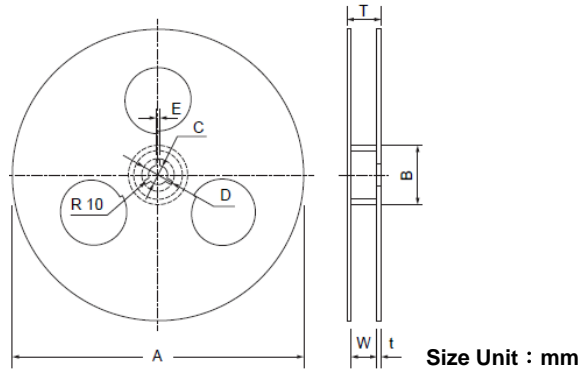
Note: if the above size can not satisfied your need please contact us.

Available Terminals For SNAP-IN Type :

<p>standard product code: S1(the NO.13 apply to size $\Phi 22\sim 35$ code is G)</p> <p>Hole of PCB</p>	<p>code: LL apply to size $\Phi 25\sim 35$</p>
<p>three terminal code: L3 apply to size $\Phi 25\sim 35$</p> <p>Hole of PCB (one side of soldering)</p>	<p>Horizontal code: V3 apply to size $\Phi 22\sim 35$</p> <p>Hole of PCB (one side of soldering)</p>
<p>four terminal code: L4 apply to size $\Phi 35\sim 45$</p> <p>Hole of PCB (one side of soldering)</p>	

Packaging Specification

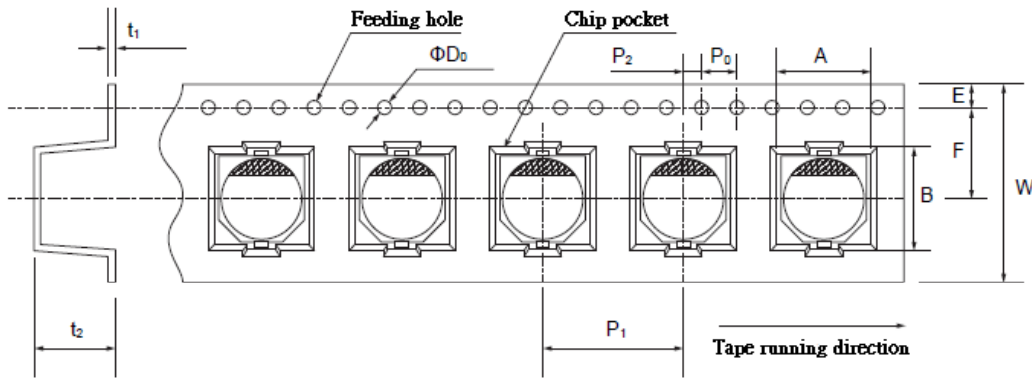
1.SMD Packing Specification



Size Unit : mm

Size	A	B	C	D	E	W	T	t
4Φ ~ 5Φ	380±2	84min	13.0±0.5	42	2.0±0.5	14±1	18±1	2.0
6.3Φ ~ 8×6.7	380±2	84min	13.0±0.5	42	2.0±0.5	18±1	22±1	2.0
8×10.2 ~ 10Φ	380±2	84min	13.0±0.5	42	2.0±0.5	26±1	30±1	2.0
12.5Φ	380±2	84min	13.0±0.5	42	2.0±0.5	32±1	36±1	2.0
16.0Φ	380±2	84min	13.0±0.5	42	2.0±0.5	44±1	48±1	2.0

① Reel Tape



Size Unit : mm

Symbol SizeDxL	W	A	B	Po±0.1	P1	P2±0.1	F	ΦD ₀	t1	E	t2
4x5.4	12.0	4.7	4.7	4.0	8.0	2.0	5.5	1.5+0.1-0	0.4	1.75	5.8
5x5.4(5.8*)	12.0	5.7	5.7	4.0	12.0	2.0	5.5	1.5+0.1-0	0.4	1.75	5.8
6.3x5.4(5.8*)	16.0	7.0	7.0	4.0	12.0	2.0	7.5	1.5+0.1-0	0.4	1.75	5.8
6.3x7.7*	16.0	7.0	7.0	4.0	12.0	2.0	7.5	1.5+0.1-0	0.4	1.75	8.3
8x6.2	16.0	8.7	8.7	4.0	12.0	2.0	7.5	1.5+0.1-0	0.4	1.75	6.8
8x10.2(10.4*)	24.0	8.7	8.7	4.0	16.0	2.0	11.5	1.5+0.1-0	0.4	1.75	11.0
10x10.2*(12.2*)	24.0	10.7	10.7	4.0	16.0	2.0	11.5	1.5+0.1-0	0.4	1.75	11.0
12.5x13.5	32.0	13.4	13.4	4.0	24.0	2.0	14.2	1.5+0.1-0	0.4	1.75	14.0
12.5x16.0	32.0	13.4	13.4	4.0	24.0	2.0	14.2	1.5+0.1-0	0.4	1.75	16.2
16.0x16.5	44.0	17.5	17.5	4.0	28.0	2.0	20.2	1.5+0.1-0	0.4	1.75	16.7

② Packaging Specification

Size DxL(mm)	Q'ty per (pcs)	Inner box (pcs)	Measurement (mm)	gross (kg)	Outer carton (pcs)	Measurement (mm)	gross (kg)
4x5.4	2000	20,000	390x195x395	4	40,000	420x410x414	9
5x5.4(5.8*)	1000	10,000	390x195x395	5	20,000	420x410x414	11
6.3x5.4 (5.8*)	1000	10,000	390x235x405	5	20,000	420x410x492	12
6.3x7.7*	1000	10,000	390x235x405	7	20,000	420x410x492	14
8x6.2	1000	10,000	390x235x405	7	20,000	420x410x492	15
8x10.2(10.4*)	500	4,000	390x255x405	6	8,000	420x410x530	13
10x10.2*(12.2*)	500	4,000	390x255x405	8	8,000	420x410x530	17
12.5x13.5	200	1,200	390x255x405	5	2,400	420x410x530	13
12.5x16.0	150	900	390x255x405	5	1,800	420x410x530	13
16.0x16.5	125	625	390x255x405	5	1,250	420x410x530	13

Note: product size don't marked with "*" mark is an applicable polymer solid aluminium electrolytic capacitor.

More detailed information please contact our company.

Packaging Specification

2. Conductive Polymer Aluminum Solid Capacitors

① Bulk package : Standard

Classification	Standard			
size ΦDxL(mm)	Vinyl bag Qty (pcs)	Inner box (pcs)	Outer carton (pcs)	gross weight (kg)
5×7.5×9.6.3×5.4	2,000	16,000	32,000	11
5.5×9.6.3×6.3×8	1,000	12,000	24,000	10
6.3×10.5	1,000	10,000	20,000	14
8x8.8x9.8x11.5	500	7,500	15,000	17
10×12.5	200	4,000	8,000	15

② Bulk package : Cutting & Forming

Classification	Cutting & Forming			
size ΦDxL(mm)	Vinyl bag Qty (pcs)	Inner box (pcs)	Outer carton (pcs)	gross weight (kg)
5×7.5×9.6.3×5.4	2,000	10,000	40,000	16
5.5×9.6.3×6.3×8	2,000	10,000	40,000	15
6.3×10.5	1,000	7,000	28,000	17
8x8.8x9	500	4,000	16,000	18
8x11.5	500	4,000	16,000	18
10×12.5	200	2,000	8,000	15

③ Ammo Tape(Fig.1)

Classification	Ammo Tape				
size ΦDxL(mm)	Inner box (pcs)	Outer carton (pcs)	Outer carton (mm)	Outer carton (pcs)	gross weight (kg)
6.3Φ	340×275×50	2,000	355×297×290	10,000	8
8Φ×5-16L	340×230×50	1,000	355×252×290	5,000	7
10Φ×10~17L	340×230×50	600	355×252×290	3,000	7

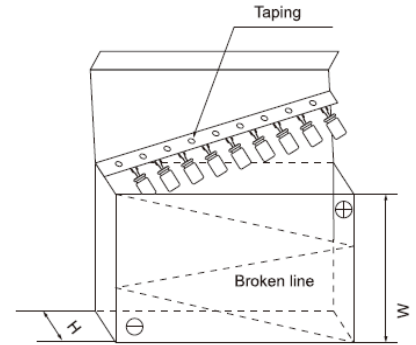


Fig.1

④ Reel Tape(Fig.2)

Classification	Roll Reel braid		
size ΦDxL(mm)	Inner box (pcs)	Outer carton (pcs)	gross weight (kg)
6.3Φ	2,000	10,000	6
8Φ×5-16L	1,600	8,000	12
10Φ×10~17L	1,000	5,000	14

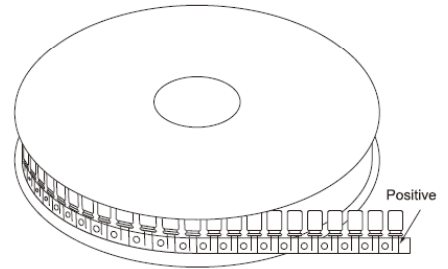


Fig.2

3. Radial Lead Type Aluminium Electrolytic Capacitors

① Bulk package : Standard

Standard					Standard				
size DxL(mm)	Vinyl bag Qty (pcs)	Inner box (pcs)	Outer carton (pcs)	gross weight (kg)	size DxL(mm)	Vinyl bag Qty (pcs)	Inner box (pcs)	Outer carton (pcs)	gross weight (kg)
4×5	2,000	24,000	48,000	13	13×13,13×15	100	2,400	4,800	15
4×7	2,000	20,000	40,000	11	13×18,13×20	100	1,800	3,600	15
5×5	2,000	20,000	40,000	12	13×25	100	1,200	2,400	14
5×7	2,000	16,000	32,000	13	13×30	100	1,200	2,400	16
5×11	1,000	12,000	24,000	13	13×34,13×36	100	1,000	2,000	14
6.3×5	2,000	16,000	32,000	11	13×38,13×40	100	800	1,600	15
6.3×7	2,000	12,000	24,000	10	16X15,16X20	100	1000	2000	22
6.3×11	1,000	10,000	20,000	14	16X25	100	1000	2000	24
8x7	500	10,000	20,000	14	16X30,16X32	100	800	1600	20
8×9.8×11	500	7,500	15,000	17	16X36,16X40	100	600	1200	22
8×14	500	5,000	10,000	12	16X45	100	500	1000	22
8×16	500	5,000	10,000	16	18X15,18X20	100	800	1600	21
8×20	200	4,000	8,000	14	18X22,18X25	100	800	1600	23
10×12.5	200	4,000	8,000	15	18X30	100	600	1200	25
10×15	200	3,600	7,200	16	18X32,18X36,18X40	100	500	1000	25
10×17	200	3,600	7,200	17	18X45,18X50	100	300	600	21
10×20	200	3,000	6,000	19	22X35,22X40	100	300	600	21
10×25	200	2,400	4,800	17					

② Bulk package : Cutting & Forming

Classification		Cutting & Forming				Classification		Cutting & Forming			
size ΦDxL(mm)	Vinyl bag Qty (pcs)	Inner box (pcs)	Outer carton (pcs)	gross weight (kg)	size ΦDxL(mm)	Vinyl bag Qty (pcs)	Inner box (pcs)	Outer carton (pcs)	gross weight (kg)		
4x5	2,000	20,000	80,000	20	13x13,13x15	200	800	3,200	13		
4x7	2,000	16,000	64,000	17	13x18,13x20	200	600	2,400	10		
5x5	2,000	16,000	64,000	18	13x25	200	600	2,400	14		
5x7	2,000	16,000	64,000	23	13x30	100	500	2,000	14		
5x11	1,000	10,000	40,000	22	13x34,13x36	100	300	1,200	12		
6.3x5	2,000	10,000	40,000	16	13x38,13x40	100	300	1,200	15		
6.3x7	2,000	10,000	40,000	15	16X15,16X20	200	1000	2000	22		
6.3x11	1,000	7,000	28,000	17	16X25	-	500	4000	44		
8x7	500	6,500	26,000	16	16X30,16X32	-	500	3000	37		
8x9,8x11	500	4,000	16,000	18	16X36,16X40	-	500	3000	55		
8x14,8x15	500	3,000	12,000	14	18X22,18X25	-	500	2000	28		
8x16	500	2,000	8,000	13	18X32,18X36,18X40	-	500	1000	25		
8x20,8x25	200	2,000	8,000	14	18X45,18X50	-	600	1200	40		
10x12.5	200	2,000	8,000	15	20X25	-	400	800	20		
10x15	200	2,000	8,000	18	22X32	-	320	1920	55		
10x17	200	1,600	6,400	15	22X30	-	400	800	25		
10x20	200	1,400	5,600	17	22X35,22X40	-	400	800	27		
10x25	200	1,200	4,800	16							

③ For lattice bar type packing of standard(Fig.3)

size ΦDxL(mm)	Lattice bar of inner carton		Row packing method		Inner box Qty (pcs)	Outer carton (pcs)	gross weight (kg)
Height (mm)	Qty (pcs)	Row number Layer number	Each row (pcs)				
11.7X26	60	38	20*2	25	1000	2000	9
13x16~13x20	55	18	10*2	25	500	2000	10
16X15-20 L	55	18	10*2	25	500	1000	11
16X21-26 L	60	18	10*2	25	500	1000	12
16X27-32 L	65	18	10*2	25	500	1000	13
16X33-40 L	75	18	10*2	25	500	1000	14
18X15-16 L	50	18	10*2	25	500	1000	12
18X17-26 L	60	18	10*2	25	500	1000	13
18X27-32 L	65	11	12*1	25	300	600	13
18X33-42 L	75	11	12*1	25	300	600	13
18X43-50 L	85	11	12*1	25	300	600	14
20x30-40L	75	9	10*1	20	200	400	13
22x30-40L	75	9	10*1	20	200	400	15
22x41-50L	85	9	10*1	20	200	400	17
25x40-50L	85	9	10*1	20	200	400	19

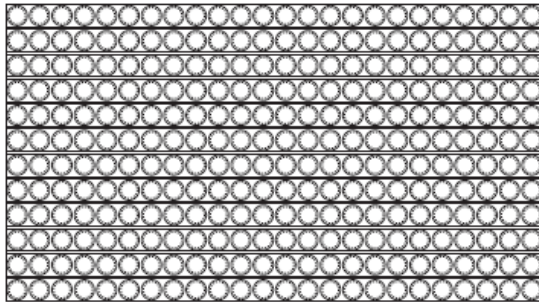


Fig.3

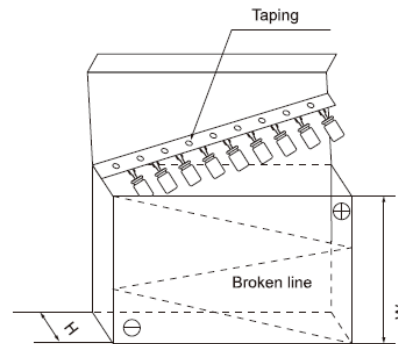


Fig.4

④ For Taping Ammo & Reel(Fig.4)

Classification	Ammo Tape				
size ΦDxL(mm)	inner box (mm)	quantity (pcs/box)	outer carton (mm)	quantity (pcs/box)	gross weight (kg/box)
4Φ	330x275x50	3,000	345x290x278	15,000	6
5Φ	330x230x50	2,000	345x248x280	10,000	6 ~ 7
6.3Φ	330x275x50	2,000	345x290x278	10,000	8
8Φx5-16L	330x230x50	1,000	345x248x280	5,000	7
8Φx20L	330x230x58	1,000	345x245x320	5,000	7
10Φx10~17L	330x230x50	600	345x248x280	3,000	7
10Φx20~25L	330x230x58	600	345x245x320	3,000	7
10Φx30L	330x230x65	600	345x245x290	2,400	7
13Φx32L below	335x235x65	400	352x248x290	1,600	5
13Φx36L below	335x235x74	400	352x248x325	1,600	5
16Φx32L below	335x275x65	300	355x297x290	1,200	5
16Φx36L below	335x275x74	300	355x297x337	1,200	5
18Φx20~32L below	340x288x63	260	360x305x280	1,040	5

⑤ Roll Reel braid(Fig.5)

Classification size ΦDxL(mm)	Ammo Tape				
	inner box (mm)	quantity (pcs/box)	outer carton (mm)	quantity (pcs/box)	gross weight (kg/box)
4Φ	350*350*110	3,000	370*370*675	15,000	8
5Φ		2,400		12,000	8
6.3Φ		2,000		10,000	6
8Φ×5-16L		1,600		8,000	12
8Φ×20L		1,000		5,000	12
10Φ×10-16L		1,200		6,000	
10Φ×17-20L		1,000		5,000	

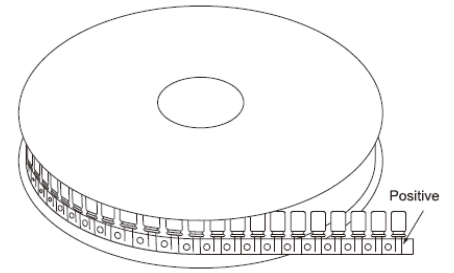


Fig.5

4. SNAP-IN Type Aluminium Electrolytic Capacitors(Fig.6)

size ΦDxL(mm)	weighe (g/pcs)	inner box (pcs)	outer carton (pcs)
22x25 ~ 30	20 ~ 25	100	800
22x35 ~ 50	25 ~ 30	100	600
25x25 ~ 30	25 ~ 30	100	800
25x35 ~ 50	30 ~ 35	100	600
25x55~ 70	38.5-62	100	400
30x20 ~ 30	30 ~ 35	50	400
30x35 ~ 50	35 ~ 40	50	300
30 x 55-70	45-50	50	200
35x25 ~ 30	40 ~ 45	40	320
35x35 ~ 50	45 ~ 50	40	240
35x55 ~ 70	55-70	40	160

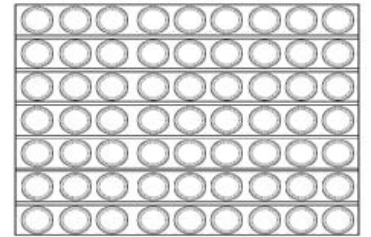


Fig.6

5. SCREW Type Aluminium Electrolytic Capacitors(Fig.7)

size ΦDxL(mm)	inner box (pcs)	outer carton (pcs)
35×50~90High	28	112
35×100~121	28	56
51×70~96	15	60
51×100~130	15	30
64×96~195	8	16
77×96~195	6	12
90*131~196	4	8
90×236		6

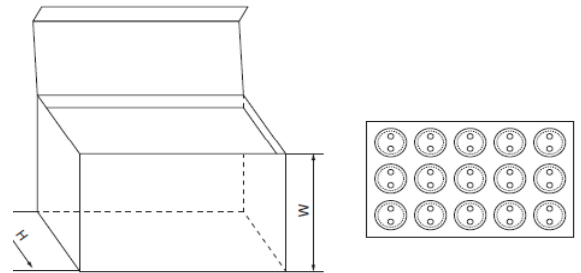


Fig.7